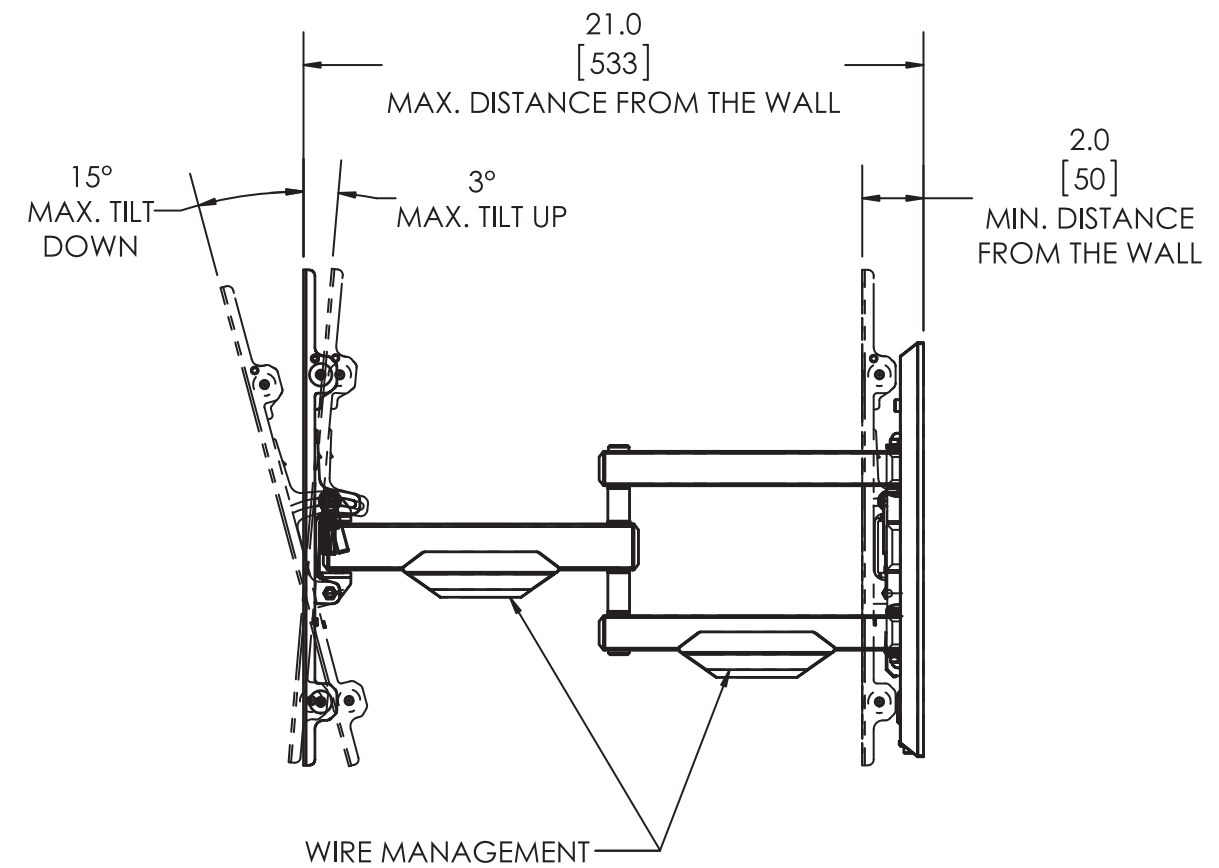
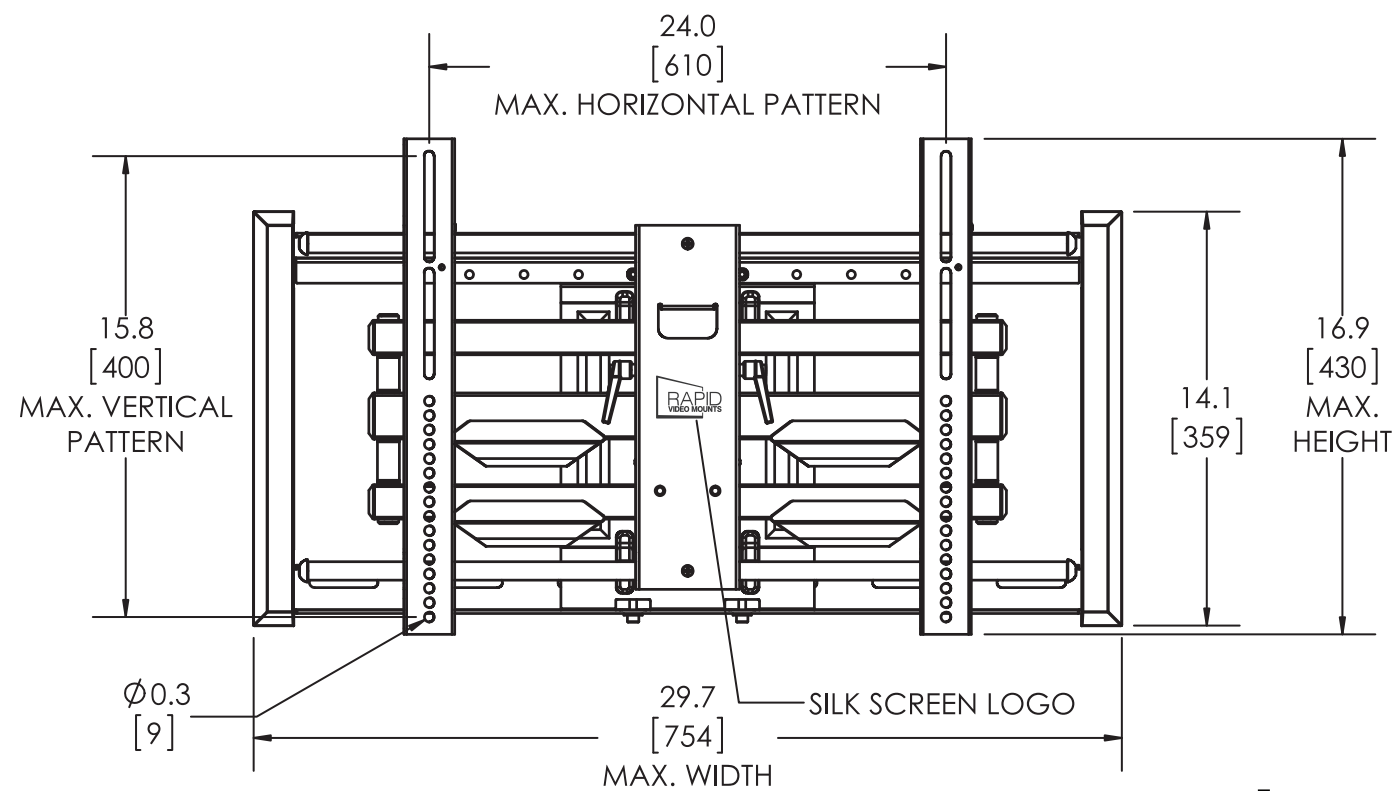
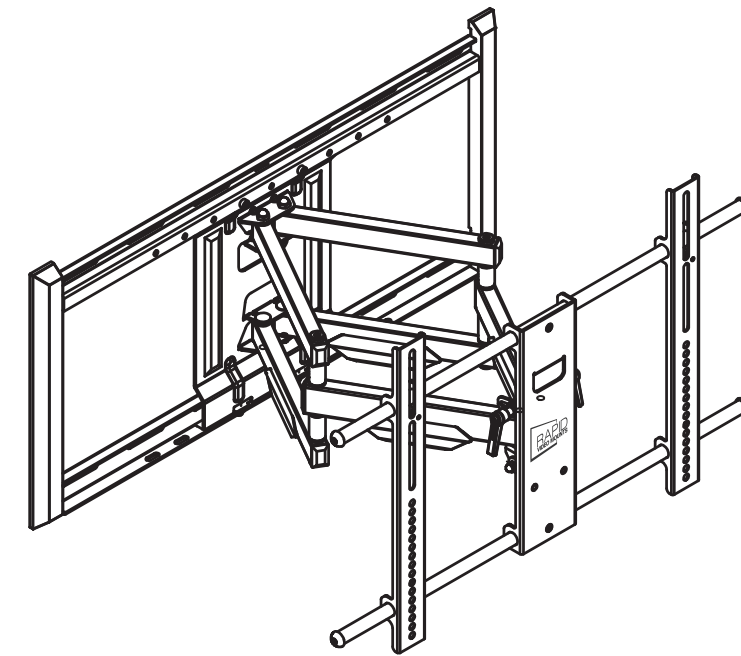
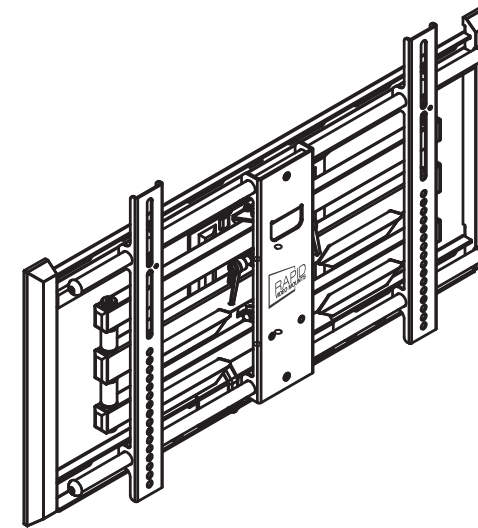
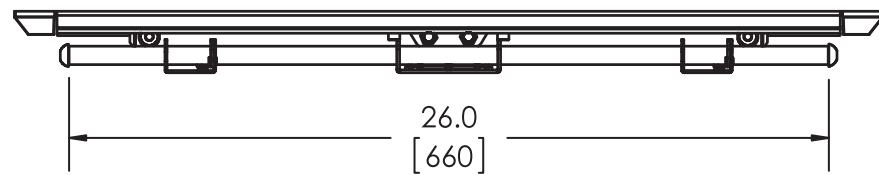


RAPID VIDEO MOUNTS



NOTES: UNLESS OTHERWISE SPECIFIED

1. VESA STANDARD COMPATABILITY (WIDTH X HEIGHT) : 200X100/200X200/200X400
300X300 / 300X400/400X400/600X400
2. MAXIMUM VESA MOUNTING CONFIGURATION: 600X400 MM
3. SCREEN SIZE COMPATABILITY: MOST 32" - 70" SCREENS
4. MAXIMUM WEIGHT CAPACITY: 125 LBS (56.3 KG)
5. PRODUCT COLOR: BLACK
6. VIEWING ANGLE INCREMENTS: -3° - +15°

RVM-64FM125